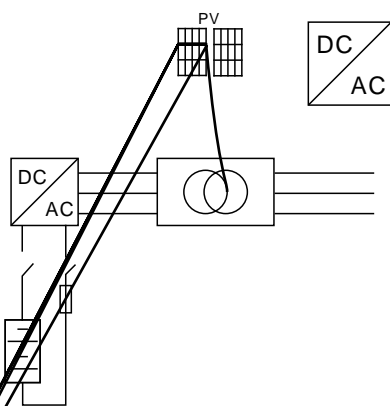




Smart C&I BESS + Solar PV System



All-in-one design, integrated battery pack, battery management system BMS, energy management system EMS, modular PCS and fire protection system in one. The system is equipped with transformers and switchgear. The system can be combined with photovoltaic power generation to form a grid-tied solar with energy storage system. Multiple systems can be connected in parallel for flexible expansion. The system is suitable for a variety of applications such as, on-grid/off-grid solar energy and storage system, backup power supply, and solar-diesel-microgrid system.

[REDACTED]

[REDACTED]

[REDACTED]

[REDACTED]

[REDACTED]

[REDACTED]

[REDACTED]

[REDACTED]

[REDACTED]

[REDACTED]

[REDACTED]

[REDACTED]

[REDACTED]

[REDACTED]

	600~1000V
	400V
	144A
	159A
	-15%~+10%
	50/60±5Hz
	<3%
	3/PE
	-40~+60℃
	IP66
	≤70dB
	Air Cooling
	RS485
	Modbus-RTU;TCP-IP
	1414*1500*2542mm
	2800kg
	IEC62472, IEC61000, CEI

N
Recommended model
Specifications

1
W/215kWh -

1 1

box, BMS 5

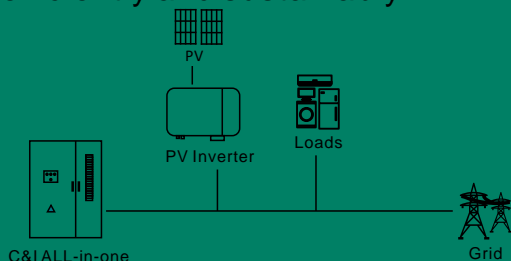
1
Rated power
voltage AC
three-wire.

2



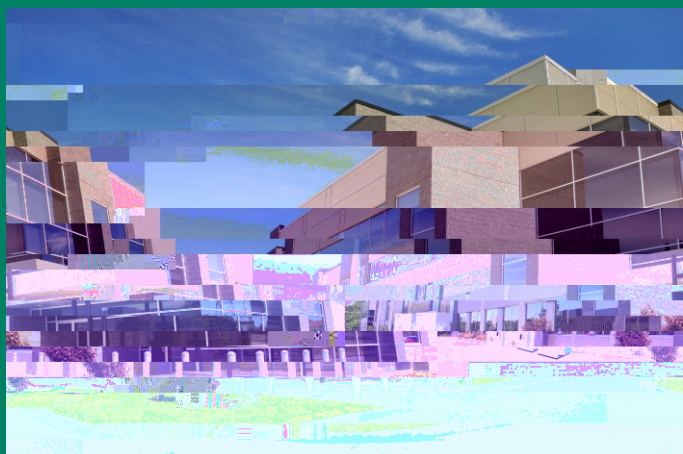
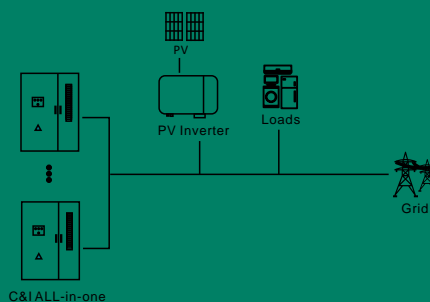
Grid-connected scenario

A grid-connected BESS offers the ability to capture and store electrical energy when the demand is low and provide electricity when the demand is high. This ability allows the business to operate more efficiently and sustainably.



Parallel connection scenario

The BESS connected in parallel allows for easier scalability, additional BESS can be added or removed without affecting the existing system. With the parallel connection, the system is able to have more flexibility in terms of system design and operation.



Microgrid scenario

Combining with solar or diesel generator, the system can become a local energy production and distribution network that can function independently when there is no access to grid.

